

2 Megapixel Vari-focal Economy Low Lux Vandal Dome

VD-200Ne V6

H.264 High Profile • 1080p @ 30fps



Photo Indication & Dimension Diagram

- Sony Exmor™ 2MP Vandal Dome Camera
- SmartFocus® to Get Excellent Image Quality Easily
- HDTV Video Quality (Full HD 1080p @ 30fps)
- Brickcom WDR Enhancement® Technology
- H.264, MJPEG and MPEG-4 Triple Codec Compression
- i-Mode for Different Environments
- Removable IR-cut Filter / Auto Light Sensor for Day and Night
- 1 DI/DO for External Alarm and Sensor Device
- 3 Axis Design
- Two-way Audio
- Built-in Micro SD / SDHC / SDXC Memory Card Slot for Local Storage
- IK10 Vandal-Proof and IP67 Weather-Proof Outdoor Enclosure
- Power over Ethernet/DC12V/AC 24V Support



1/2.8" SONY EXMOR



Low Lux



i-mode



Vandal Proof



IP67 Water Proof



Smart IR



microSDXC Card

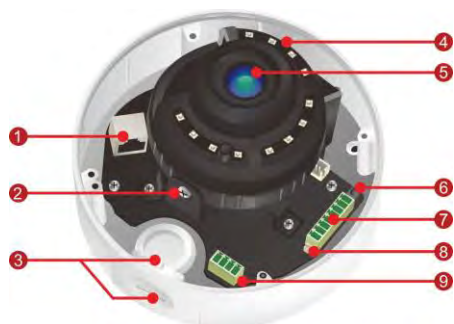


WDR

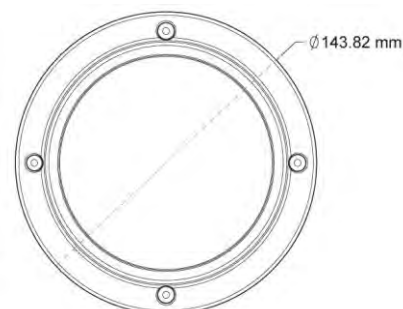
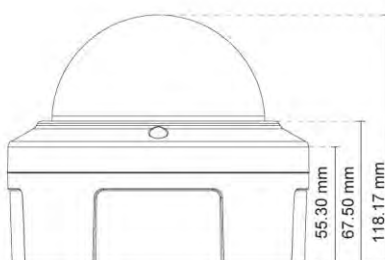


Smart Focus

ONVIF



- 1 RJ45 Connector
(For Ethernet, 802.3at PoE and 802.3af PoE)
- 2 Tilt Screw
- 3 Conduit plug and hole
- 4 IR LED
- 5 LENS
- 6 Reset Button
- 7 Terminal Block (For Audio in/out, DIDO)
- 8 TV Out Connector
- 9 Terminal Block (For DC12V/AC24V)
- 10 Fan
- 11 Micro SD / SDHC / SDXC Card Slot Card Slot



Camera	
Models	VD-200Ne V6
Hardware System	Flash: 32MB RAM: 256MB DDR
Image Sensor	Sensor Type : 1/2.8" Sony Exmor CMOS Sensor Sensor Resolution : 2MP (1920 x 1080)
Lens	Lens Type: Board / Motorized Lens Iris: F1.4 Focal Length: f=2.8~12mm View Angle: (H°/V°/D°) (H) 96°~35° / (V) 52°~20° / (D) 106°~40°
Local Storage	Built-in Micro SD/SDHC/SDXC Max.128G Memory Card Slot
Day & Night ICR	Triggered by Light sensor, Scheduling, Digital Input
Minimum Illumination	0 Lux(IR On, B/W) 0.001 Lux(F1.4,B/W) 0.002Lux(F1.4,Color)
IR Illuminators	Built -In IR Illuminators, 30m (Visible distance) 25m (Detail distance) IR LED: 12pcs
Video	
Compression Streaming	H.264 / MPEG4 / MJPEG Simultaneous multiple streams
Video Setting	i-Mode Scene Management: Smart Auto/ Indoor 60Hz/ Indoor 50Hz/ Outdoor / Car License Plate / Schedule/ Digital Input / Entrance & Elevator / Always i-Mode Profile Setting: Auto Exposure Control/Gain/ White Balance Control Manual Exposure Control: 1/32000s ~ 1s Manual Gain Control: 1 ~ 48
Image Resolution	2MP (1920 x 1080) • (30fps)
WDR	D-WDR
TV Out	NTSC (30fps) / PAL (25fps)

Events and Alarm Management	
Events	Motion Detection/ Schedule/ Audio Detection/ Digital Input/ Temperature Alarm
Alarm	Stream/Snapshot to FTP/Email/Samba/SD-Card HTTP/Email Notification/ Digital Output
Audio	
Audio Streaming	2-way Audio Support
Audio Compression	G.711/AMR
Audio Input/ Output	Line input (Unbalanced, 1.4 Vp-p, 1 Vrms) / Line output
General	
Communication	Ethernet : one 10/100Mbps RJ-45 Supported Protocols : TCP/IP, UDP, ICMP, DHCP, NTP, DNS, DDNS, SMTP, FTP, HTTP, HTTPS, Samba, PPPoE, UPnP, RTP, RTSP, RTCP, IPv4, IPv6, 802.1x
Power Input	DC12V 1A 802.3af PoE AC24V
Temperature/ Environment	Operating Temperature: -40°C ~ 50°C (-40°F ~ 122°F) Start-up Temperature: -20°C ~ 50°C (-4°F ~ 122°F) Operating Humidity: 10% ~ 90%
Max. Power Consumption	DC12V 1A 8 Watts AC 24V10.5 Watts 802.3 af POE 10 Watts
Dimension	143.82 (D) mm X 118.17(H) mm
Weight	860g/1.90lb
Housing	Weather-proof (IP67) Vandal-proof (IK10)
Certification	FCC/CE/IK10/IP67/ECE R118
Viewing System Requirements	OS: Microsoft Windows 8/7/Vista/XP/2000 Browser: Mozilla Firefox, Internet Explorer 6/7 or above, Safari, Google Chrome Cell Phone: 3GPP player Real Player: 10.5 or above Quick Time: 6.6 or above VLC
Warranty	Limited 24 months warranty

Camera Accessories Options



L-WM-01 v2
Camera Bracket



VD-B-ADAP
Camera Bracket



WPC
Waterproof Connector



PS-5881 V3
9 port 10/100M PoE Fast Ethernet Switch



PS-7242IL-AT
24-port 10/ 100M High Power PoE+ Web Smart Ethernet Switch



POE30U V2
High Power PoE Injector